

## Holding Open Device

- When the last round has been fed out of the magazine, the rear projection on the magazine platform engages the stud of the holding open device.
- After recoil of the moving parts, the platform rises under action of the magazines springs and raises the holding open device (fig. 13) until it moves up into the body and checks the forward movement of the working parts.
- The weapon then remains open and the firer knows that his magazine is empty.

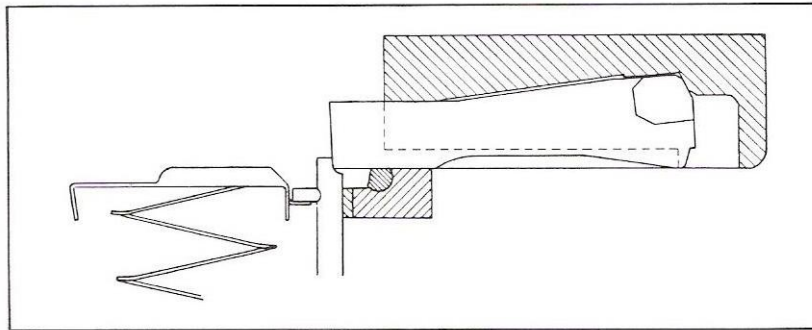


Fig. 13